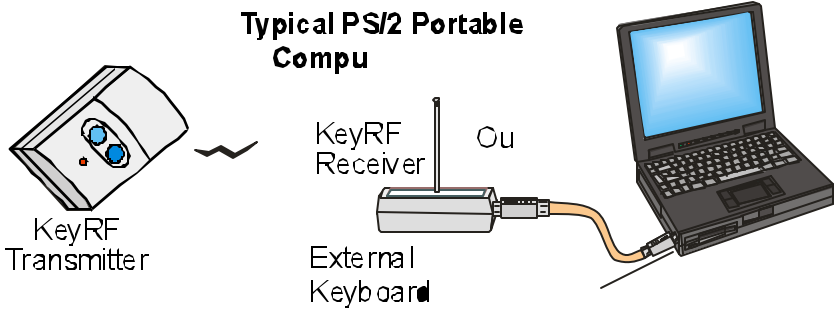
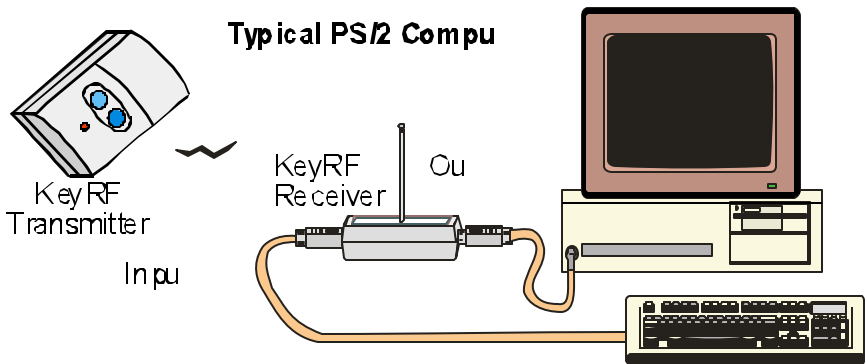
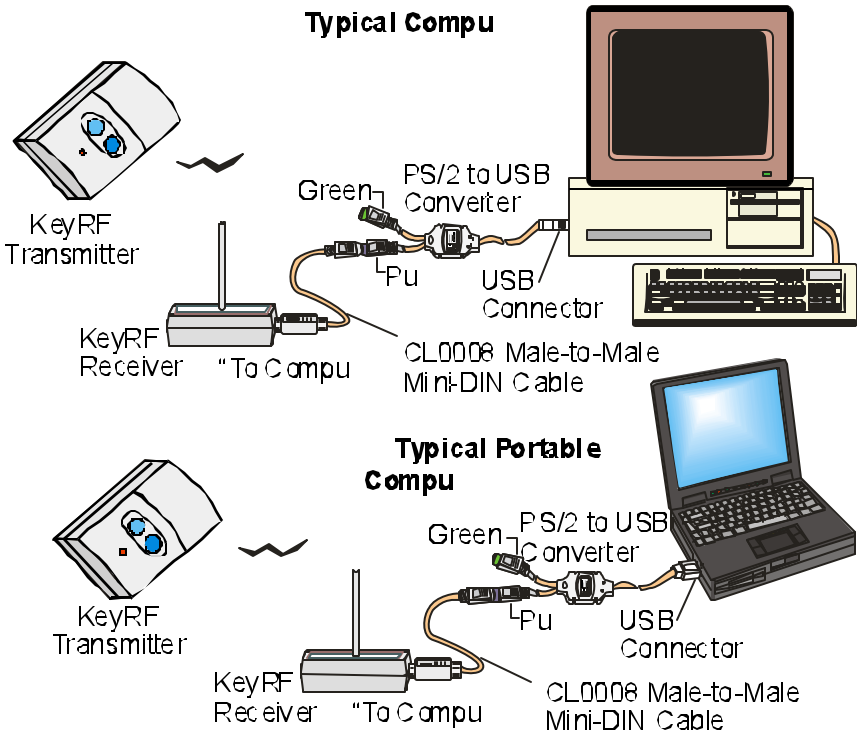


Connections Using PS/2 Interface



1. First, make sure the Computer/Laptop is turned off.
2. For a desktop computer, first unplug the keyboard from the computer.
3. Plug the one end of the supplied KeyRF cable into the desktop computer's keyboard port, or a Laptop's external mouse/keyboard port. *If your mouse does not have a 6-pin circular connector marked with a mouse or keyboard you may have to get a CL0014 PS/2 to USB adapter shown on the next page. If you have an IBM Thinkpad laptop, you may need a CL0012 PS/2 Y-adapter discussed later on in this manual.*
4. Plug the other end of the KeyRF cable to the "To Computer" connector on the KeyRF receiver.
5. If you have a desktop computer, or a laptop external keyboard, connect the keyboard to "To Keyboard" connector on the receiver.
6. Turn your computer on, and you're ready to go. If you are using presentation software, run a presentation in "show" mode and try advancing slides.

Connections Using USB Interface



1. Turn your computer on.
2. Connect one end of the supplied Mini-DIN cable to the purple connector on the PS/2 to USB converter.
3. Connect the other end of the Mini-DIN cable to the "To Computer" connector on the KeyRF receiver;
4. Plug the USB connector into a USB receptacle on the computer.
5. You should notice the computer detecting the USB connection. It may ask you to press "OK" a few times. Windows 98 may prompt for you to put in the Windows disk for a driver. Once this is done, you should be ready to use the KeyRF. If you are using presentation software, run a presentation in "show" mode and try advancing slides.